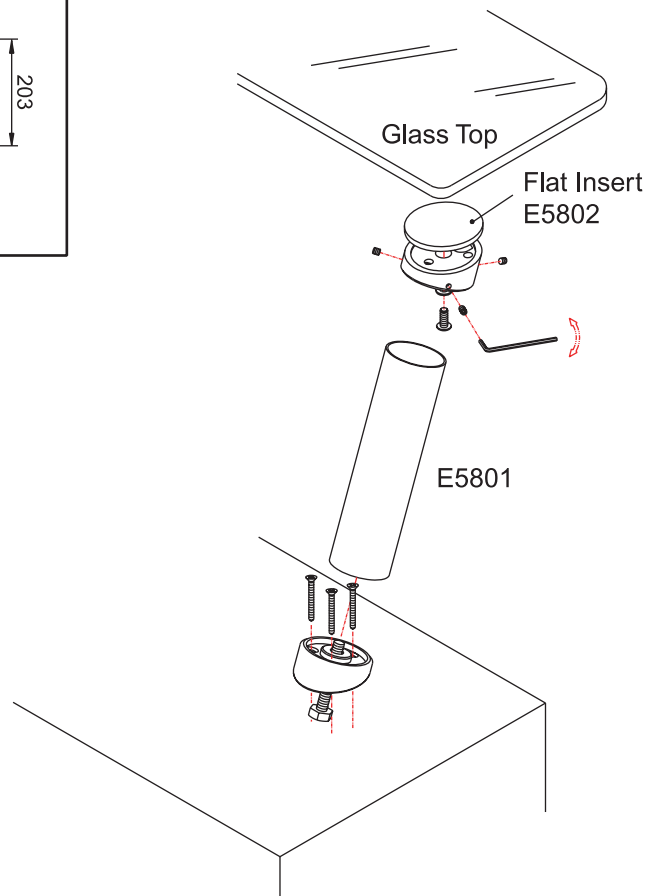
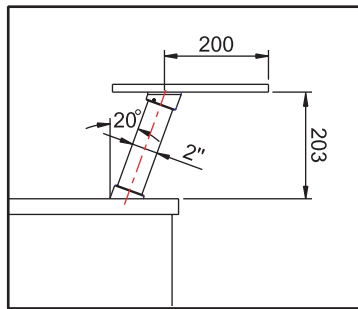
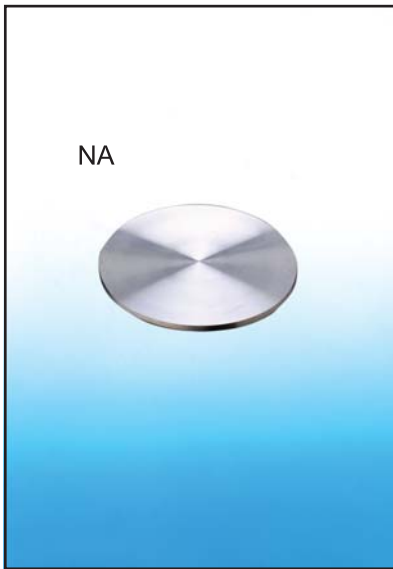


E5801

- Angled Table Support: Slanted 20° for Solid Tops Mounted on the Countertop
- Size: 50.8(2")mmD x 1.5mmT x 200mmH
- Maximum Load Capacity: 15kgs
- Material: Steel Tube / Zamac Base
- Finish: DC, DN, PB, PC, SL.



E5802

- Flat Insert: for Glass Tops Mounted on the E5801 and with Glue to Glass
- Size: Oval 61mmD x 65mm x 2.5mmT
- Material: Stainless Steel
- Finish: NA.