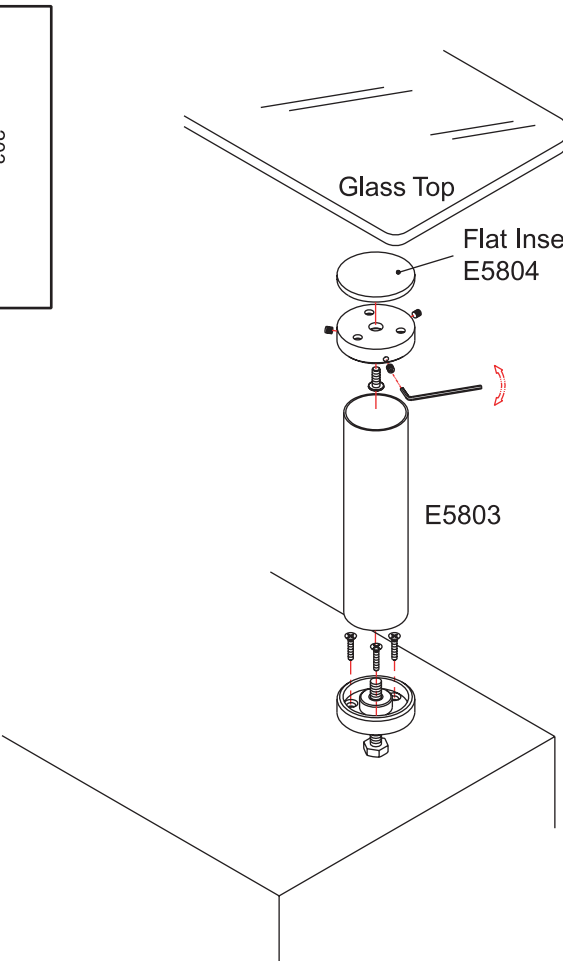
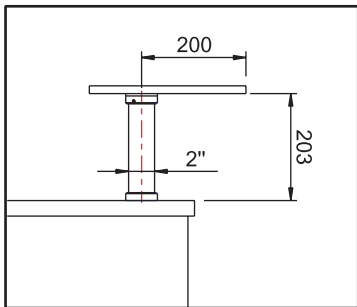
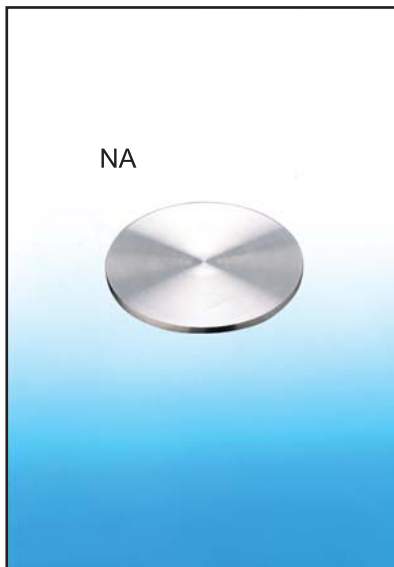


**E5803**

- 90° Table Support: for Solid Tops  
Mounted on the Countertop
- Size: 50.8(2")mmD x 1.5mmT x 200mmH
- Maximum Load Capacity: 15kgs
- Material: Steel Tube / Zamac Base
- Finish: DC, DN, PB, PC, SL.



**E5804**

- Flat Insert: for Glass Tops  
Mounted on the E5803 and with Glue to Glass
- Size: 60.5mmD x 2.5mmT
- Material: Stainless Steel
- Finish: NA.