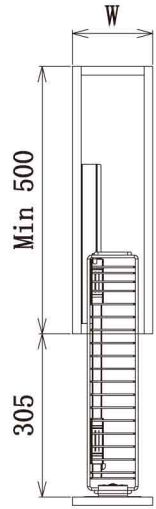


Narrow Drawer Basket

This instruction is fit for the items with soft-close slide

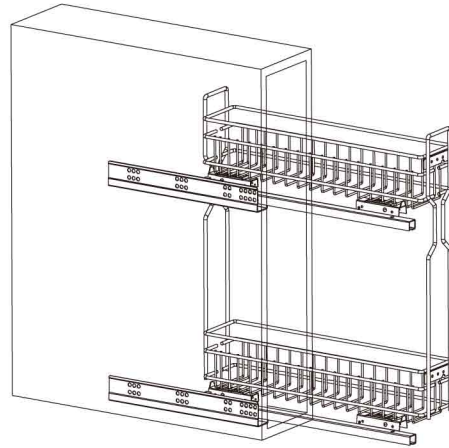


Cabinet Width (W)	Basket Size (Width*Depth*Height)
150mm	95*450*510
200mm	145*450*510
300mm	195*450*510

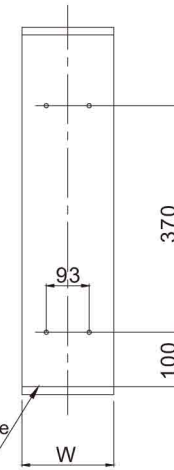
Accessories:	Qty
ST3.5*16 screw	20pcs
M5*12 screw	4pcs
M5*16 screw	2pcs
Soft-Close slider	2pcs
Front Fitting	2pcs

Attn: This instruction is fit for the right open, left open is symmetry

Step2: Install the basket to the slider.

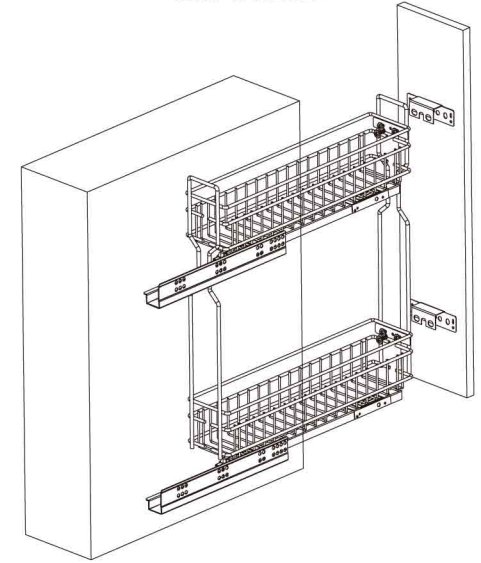


Step3: Install the door fixing.

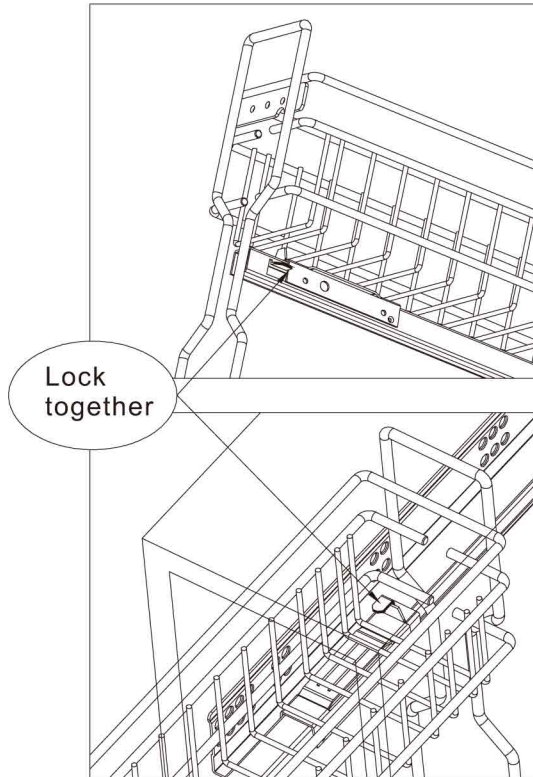
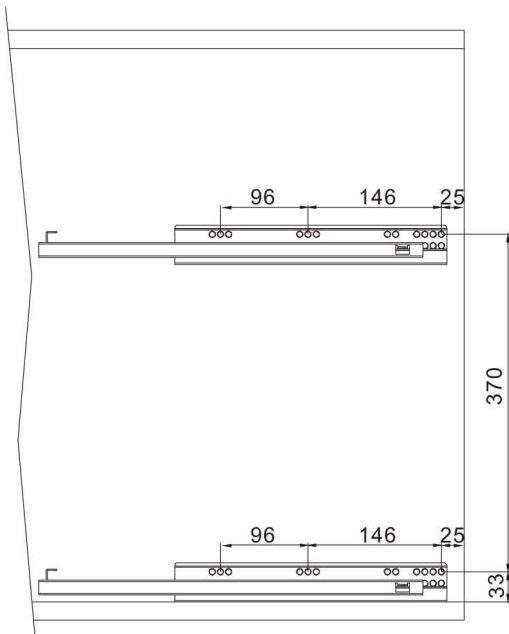


Thickness of the cabinet panel

Step4: Connect the door and basket.



Step1: Install the slider to the cabinet and fix it by 12pcs ST3.5*16 screw.



Step5: Adjust the door.

Attn: loosn B before adjust A, And fix it after adjustment

