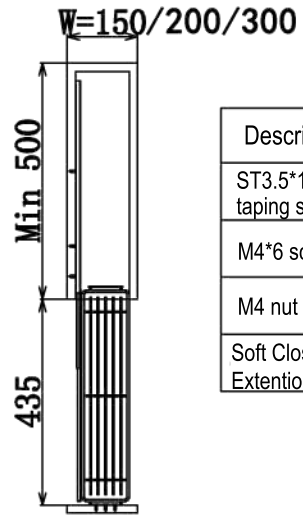
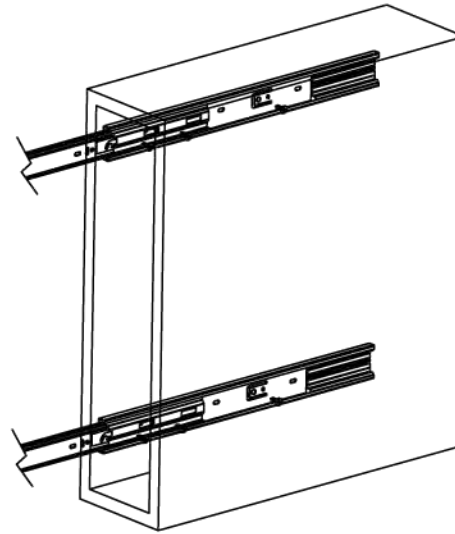


Fixing manual for 24250



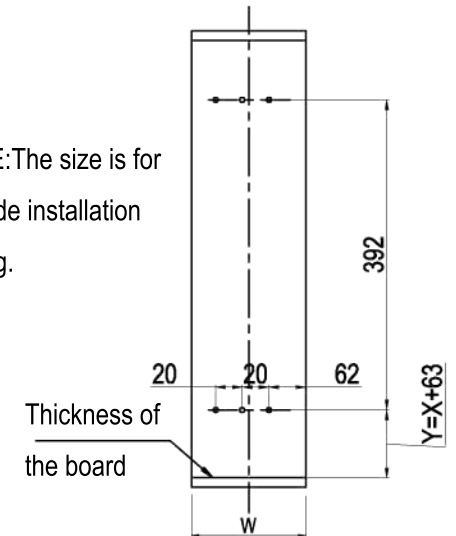
Description	Picture	QTY
ST3.5*16 soft tapping screw		12
M4*6 screw		12
M4 nut		4
Soft Closing Full Extension Slide		1set

STEP2: Install the slide on the side board by 6pcs ST3.5*16 screw

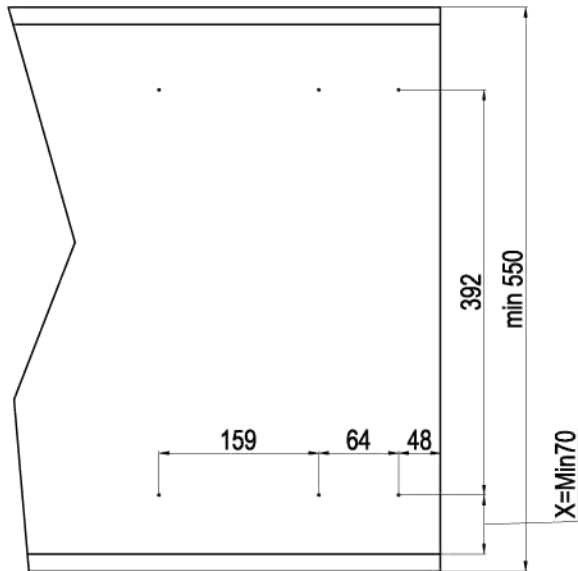


STEP4: Drilling 6 pcs $\Phi 2.5$ hole on the front board

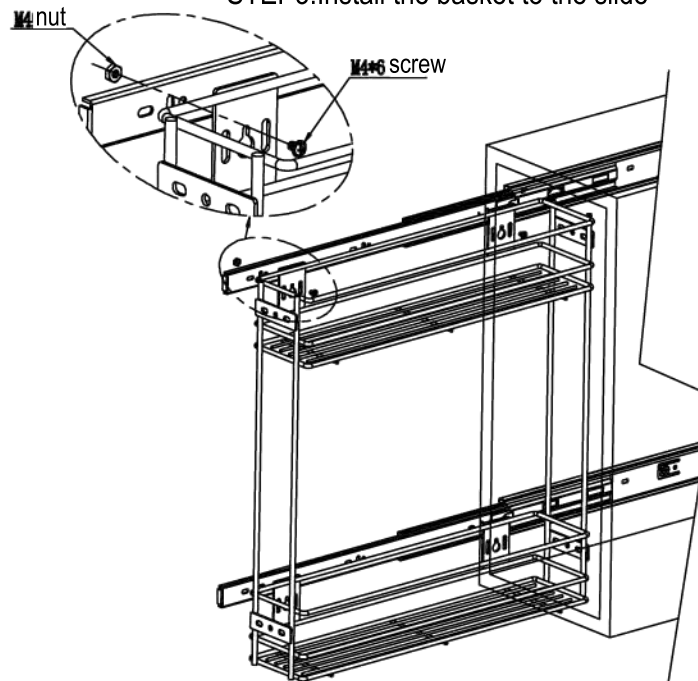
NOTE: The size is for left side installation drilling.



STEP1: Drilling 6pcs $\Phi 2.5$ hole on the cabinet



STEP3: Install the basket to the slide



STEP 5: Install the front board by 6pcs ST3.5*16 screw

